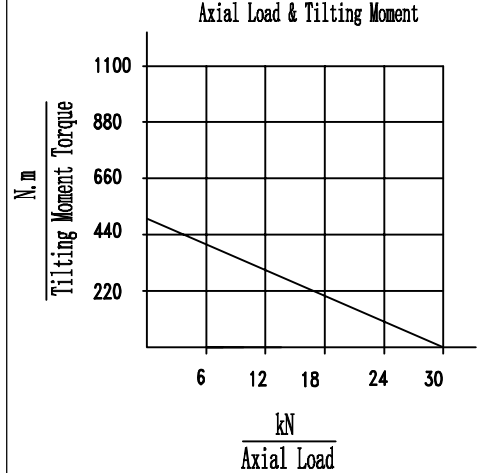
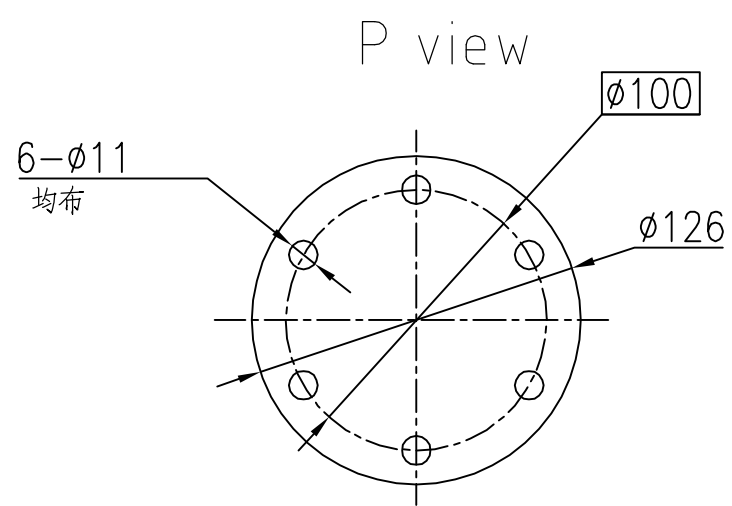
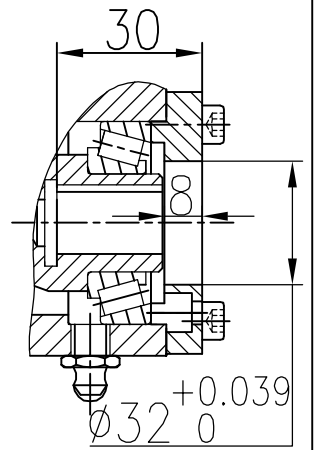
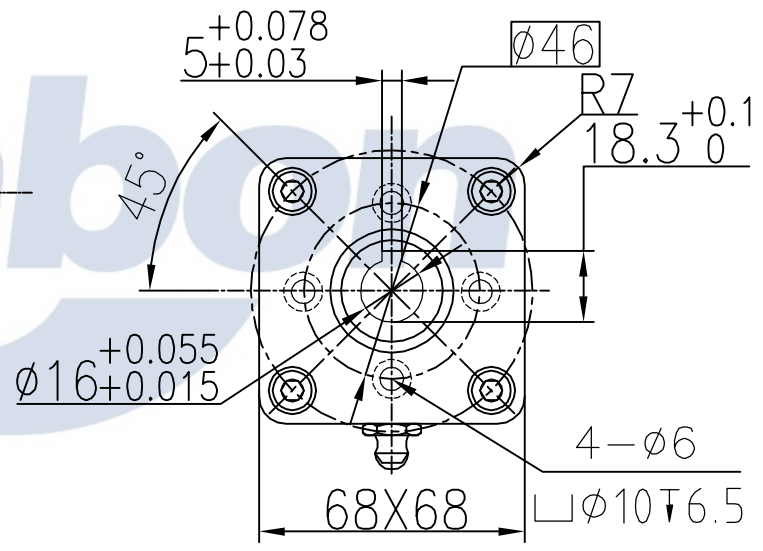
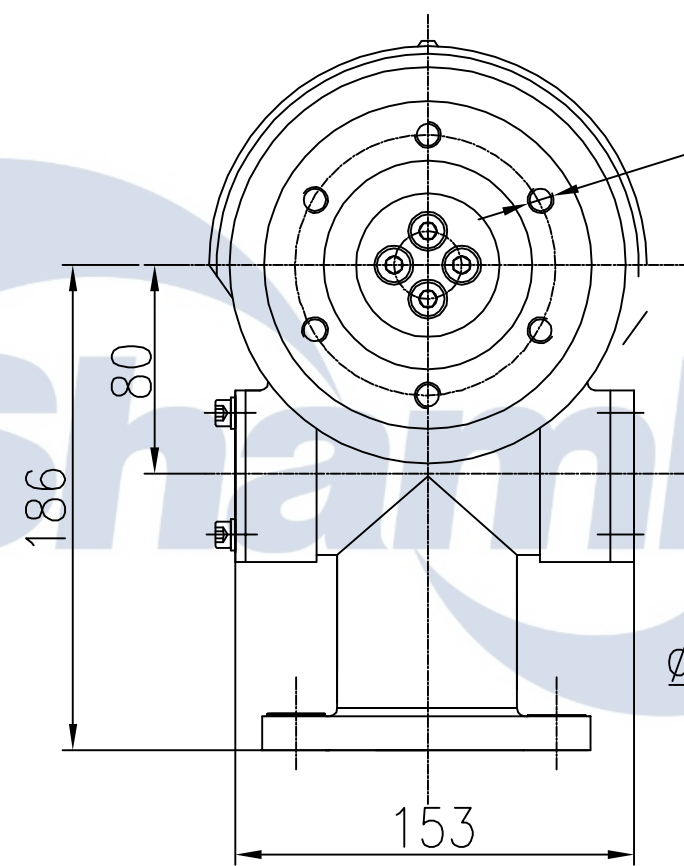
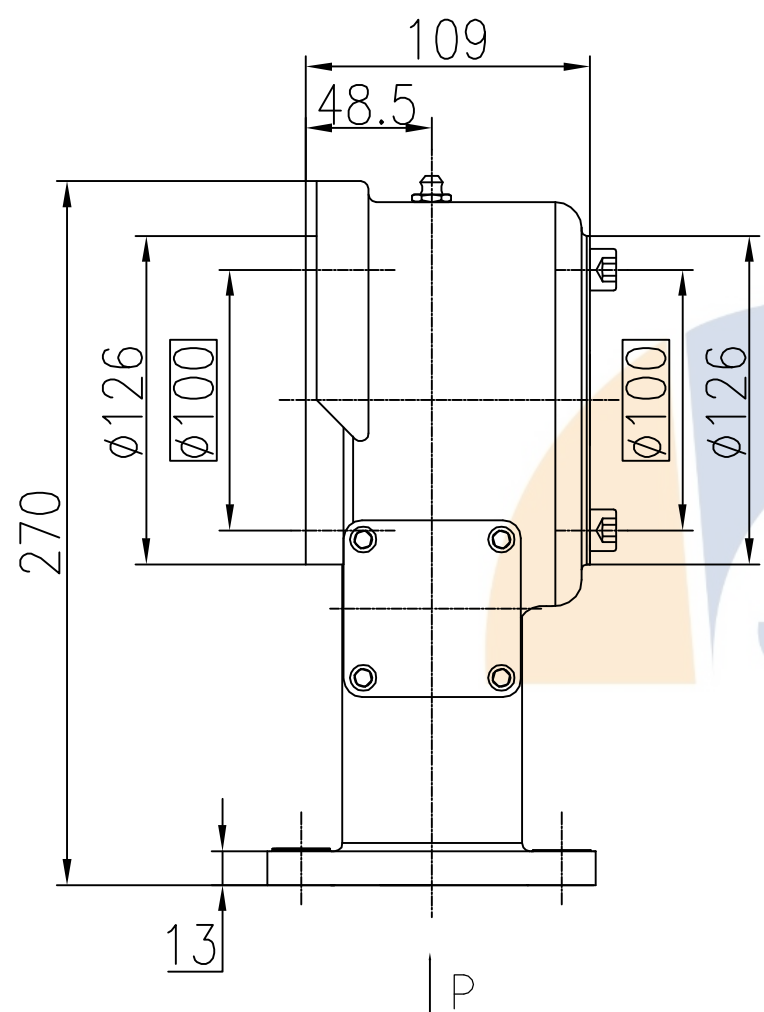



MOMENT LOAD CHART



Gear Ratio	62:1
Rated Output Torque	400 N.m
Rated Output Speed	≤ 3/rpm
Tilting Moment Torque	500N.m
Holding Torque	2000N.m
Static Axial Rating	30 kN
Static Radial Rating	16.6 kN
Tracking Precision	≤0.2°
IP Class	IP55
Self Locking Gears	Yes
Operating Temperature	-20°C / +120°C
Weight	17 kg



REV	DATE	REVISER	DESCRIPTION		
DESIGNED BY	Andrew			Xuzhou Shambon Machinery Co., Ltd. www.xzshangbang.com	
CHECKED BY	Colin				
APPROVED BY	Ivan				
ALL PROPRIETARY RIGHTS IN THE SUBJECT MATTER HERE OF ARE RESERVED, AND NO PERMISSION IS GRANTED OR TO DISCLOSE REPRODUCE THIS PRINT IN WHOLE OR IN PART, ANY OF THE INFORMATION TO OTHERS.			WEIGHT	SCALE	SLEWING DRIVE
SYMBOLS ISO	SIZE	A3	SHEET	1/1	
			VE3-62-16R		REV A